

Owner's Manual & Safety Instructions

Save This Manual Keep this manual for the safety warnings and precautions, assembly, operating, inspection, maintenance and cleaning procedures. Write the product's serial number in the back of the manual near the assembly diagram (or month and year of purchase if product has no number). Keep this manual and the receipt in a safe and dry place for future reference.



for Harbor Freight Tools

10 ft. x 17 ft. Portable Garage



Vehicle not included.

Visit our website at: <http://www.harborfreight.com>
Email our technical support at: tech@harborfreight.com

ITEM 69039

When unpacking, make sure that the product is intact and undamaged. If any parts are missing or broken, please call 1-800-444-3353 as soon as possible.

Copyright© 2011 by Harbor Freight Tools®. All rights reserved.
No portion of this manual or any artwork contained herein may be reproduced in any shape or form without the express written consent of Harbor Freight Tools. Diagrams within this manual may not be drawn proportionally. Due to continuing improvements, actual product may differ slightly from the product described herein.
Tools required for assembly and service may not be included.

⚠ WARNING

**Read this material before using this product.
Failure to do so can result in serious injury.
SAVE THIS MANUAL.**

Table of Contents

Safety	3	Maintenance	13
Specifications	4	Parts List and Diagram	14
Assembly	5	Warranty	16

SAFETY



for Harbor Freight Tools

ASSEMBLY

WARNING SYMBOLS AND DEFINITIONS

	This is the safety alert symbol. It is used to alert you to potential personal injury hazards. Obey all safety messages that follow this symbol to avoid possible injury or death.
	Indicates a hazardous situation which, if not avoided, will result in death or serious injury.
	Indicates a hazardous situation which, if not avoided, could result in death or serious injury.
	Indicates a hazardous situation which, if not avoided, could result in minor or moderate injury.
	Addresses practices not related to personal injury.

MAINTENANCE

	Double Insulated
	Canadian Standards Association
	Underwriters Laboratories, Inc.

	WARNING marking concerning Risk of Eye Injury. Wear ANSI-approved safety goggles with side shields.
	Read the manual before set-up and/or use.

IMPORTANT SAFETY INFORMATION

⚠️ WARNING

Read all safety warnings and instructions.

Failure to follow the warnings and instructions may result in serious injury.

Save all warnings and instructions for future reference.

The warnings, precautions, and instructions discussed in this instruction manual cannot cover all possible conditions and situations that may occur. It must be understood by the operator that common sense and caution are factors which cannot be built into this product, but must be supplied by the operator.

Assembly Precautions

1. Do not assemble in windy conditions.
2. Assemble and install only on flat, level, hard surface.
3. Assemble and anchor only according to these instructions. Improper assembly or inadequate anchoring can create hazards.
4. Wear ANSI-approved safety goggles and heavy-duty work gloves during assembly.
5. Keep assembly area clean and well lit.
6. Keep bystanders out of the area during assembly.
7. Do not assemble when tired or when under the influence of drugs or medication.
8. Product capabilities apply to properly and completely assembled product only.

Use Precautions

1. Do not use grill or any other type of fire under cover. Cover may catch fire if exposed to heat rising from fire.
2. Do not allow snow or debris to accumulate on this item.
3. Heavy, wet snow or strong wind could cause damage or sudden collapse. Remove the Cover when these or similar conditions are expected.
4. This product is not a toy. Do not allow children to play with or near this item.
5. Use as intended only. Do not use for long-term shelter.
6. Inspect regularly, tighten all loose hardware and loose cords, and secure all loosened anchors. If any parts are damaged, bent, or stretched, they must be replaced. Hardware may loosen during normal operation stresses. Loose hardware or damaged/altered parts will compromise the structural integrity of this product.
7. Maintain product labels and nameplates. These carry important safety information. If unreadable or missing, contact Harbor Freight Tools for a replacement.



SAVE THESE INSTRUCTIONS.



for Harbor Freight Tools

Specifications

Overall Dimensions	10' W x 17' L x 9' 3" H
Center Height	9' 3"
Side Height	6' 3"
Pole Tubing Diameter	1.27"

SAFETY

ASSEMBLY

MAINTENANCE



for Harbor Freight Tools

Assembly



Read the **ENTIRE IMPORTANT SAFETY INFORMATION** section at the beginning of this manual including all text under subheadings therein before set up or use of this product.

Note: For additional information regarding the parts listed in the following pages, refer to *Parts List and Diagram* on page 14.

WARNING

TO PREVENT SERIOUS INJURY:

Do not leave this product partially assembled. Assemble this product completely at one time.

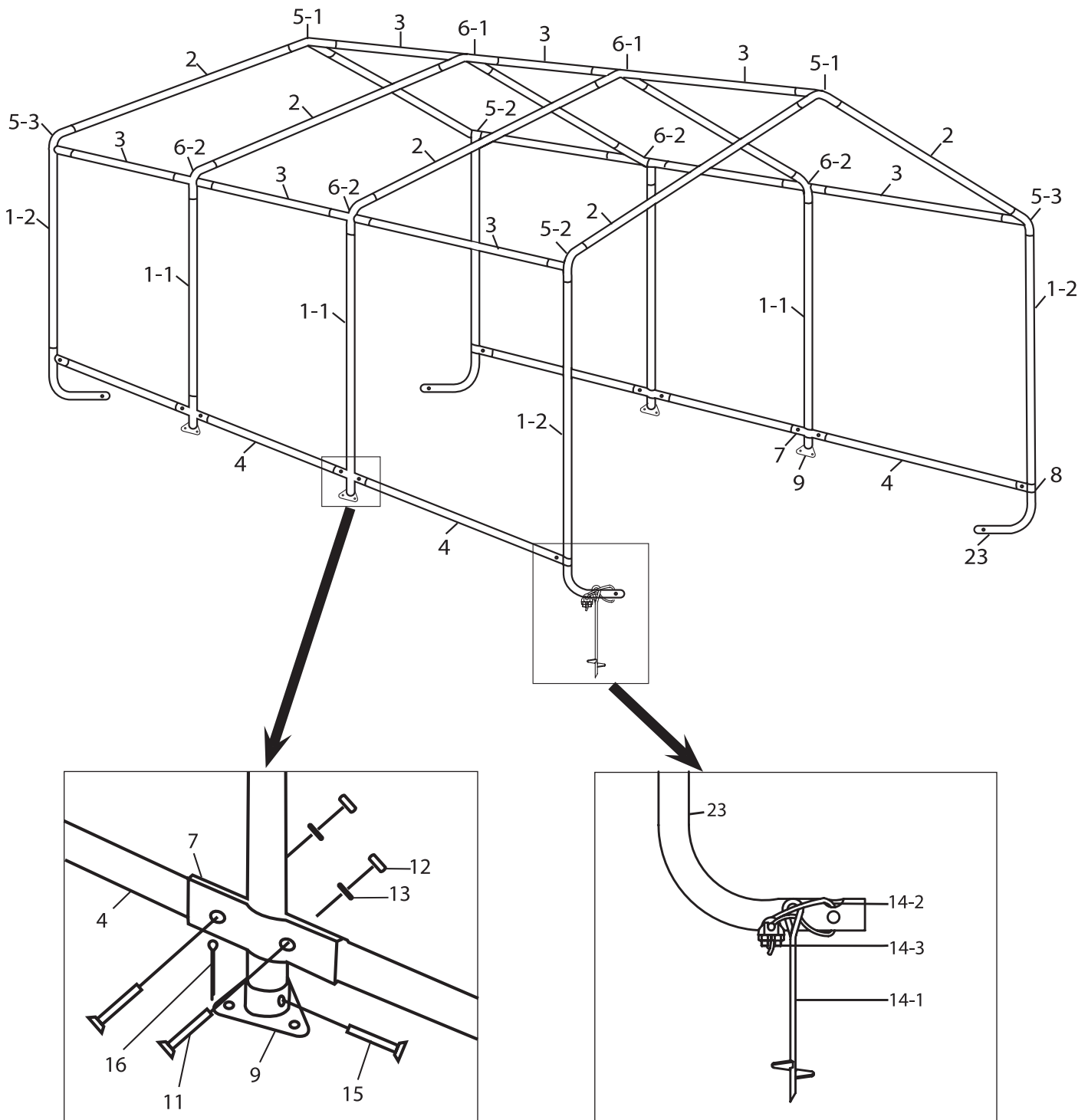


Figure A: Frame Assembly Overview

Roof Frame Assembly

Note: Much of this products assembly is done using slip fit construction. Make sure all parts seat completely and securely. A rubber mallet (sold separately) can be used to gently tap parts in place to ensure a tight fit.

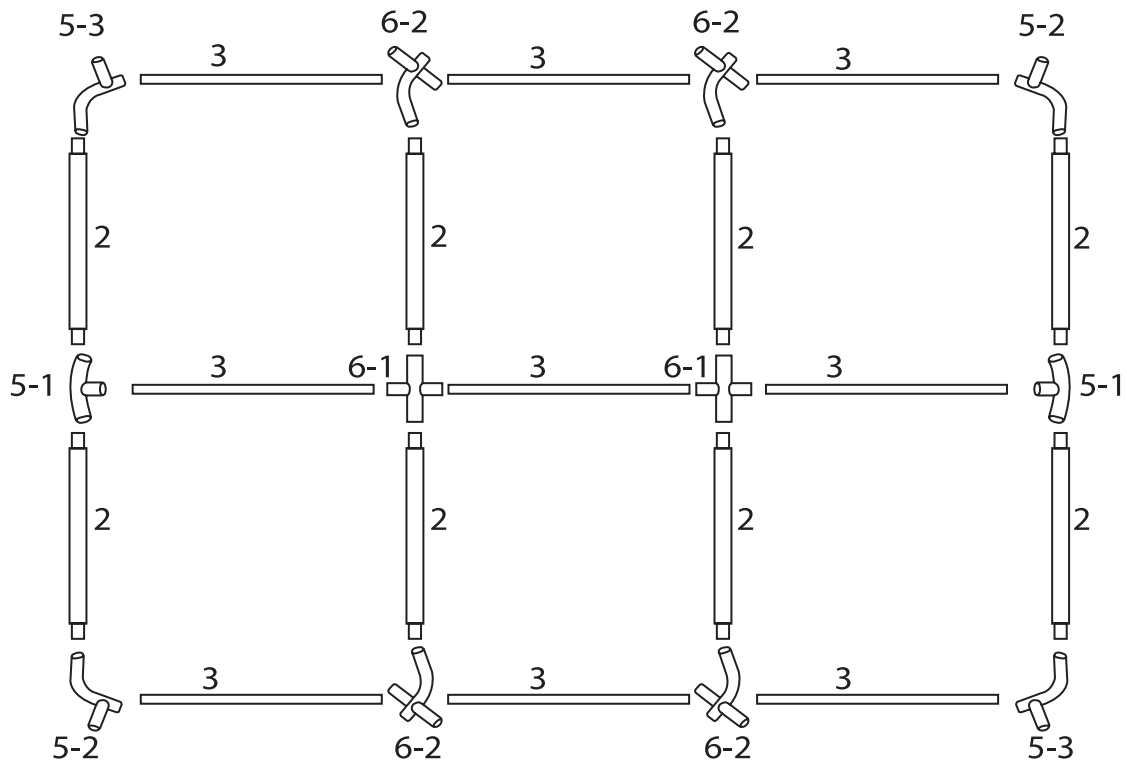


Figure B: Roof Assembly Overview

1. Assemble ridge using three Rails (3) with 4-Way Ridge Connectors (6-1) between them, and a 3-Way Ridge Connector (5-1) on each end. The Rails connect to the straight ends of the Connectors and the curved, free ends of the Connectors are angled down, as shown.

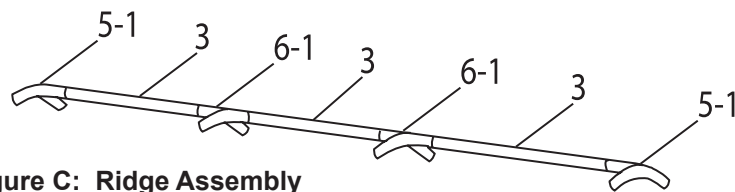


Figure C: Ridge Assembly

2. Connect a Rafter (2) to each free end of every Connector (6-1, 5-1), as shown.

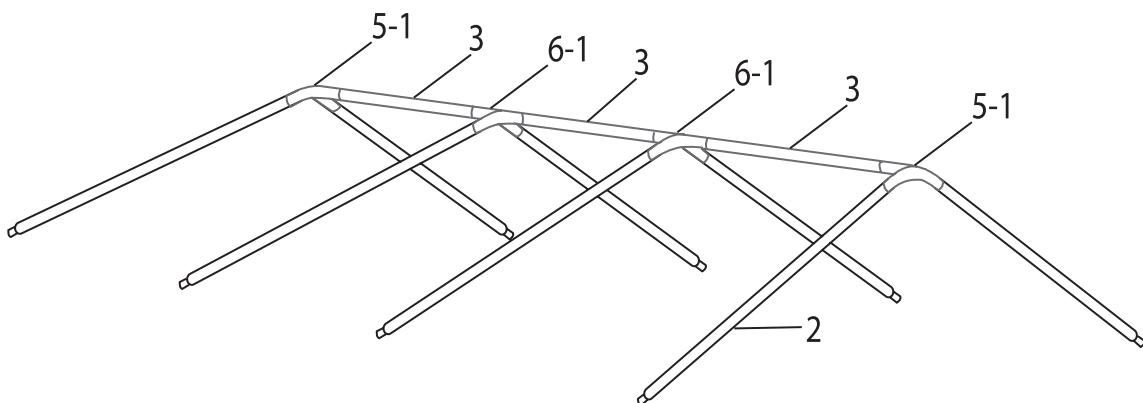


Figure D: Rafter Assembly

- Assemble a roof side rail using a 3-Way Side Connector B (5-3), then three Rails (3) with 4-Way Side Connectors (6-2) between them, and then a 3-Way Side Connector A (5-2) on the far end. The Rails connect to the straight ends of the Connectors, and the curved ends of all Connectors must face up angled the same direction, as shown. If that is not the case, incorrect connectors were used, or they were assembled backwards.

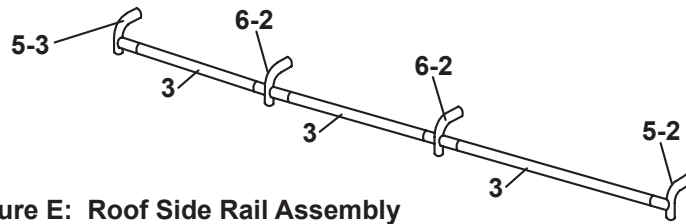


Figure E: Roof Side Rail Assembly

- Assemble a second identical roof side rail by repeating the instructions in step #3.
- Connect the roof side rail assemblies to the ends of the Rafters (2), as shown below.

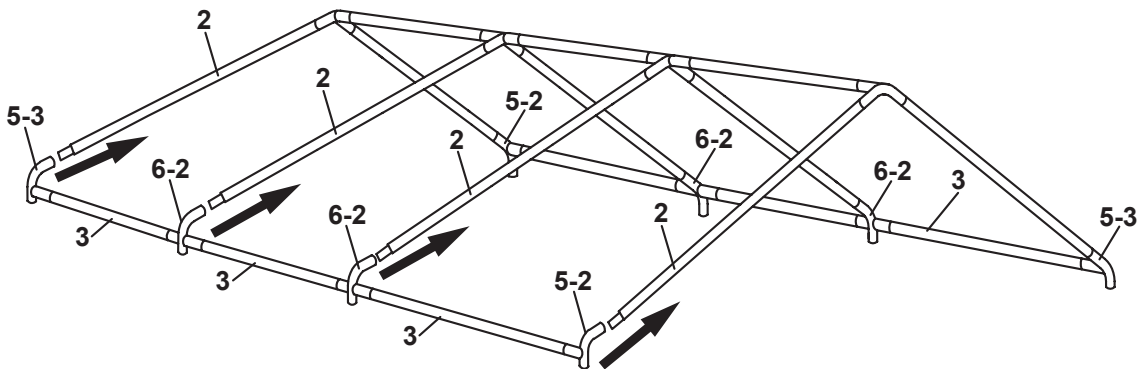
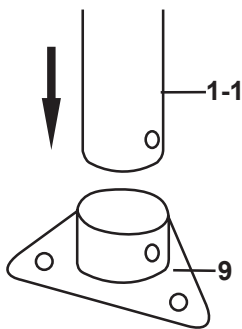


Figure F: Roof Side Rail Installation

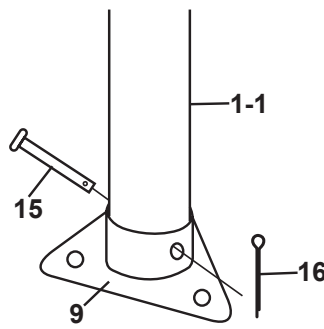
- Make sure all parts assembled up to this point are firmly joined together. Tap parts together gently with a rubber mallet (sold separately) if needed.

Stud, Foot, and Leg Assembly

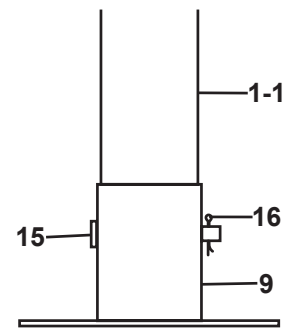
- Assemble a Foot (9) to the bottom of each Center Stud (1-1):



- Place a Foot (9) onto the bottom of the Center Stud (1-1).



- Align the holes and insert a Pin (15) through them.



- Insert a Cotter Pin (16) through the Pin, and spread end open.

- Assemble a Corner Leg (23) to the bottom of each Corner Stud (1-2) as shown.

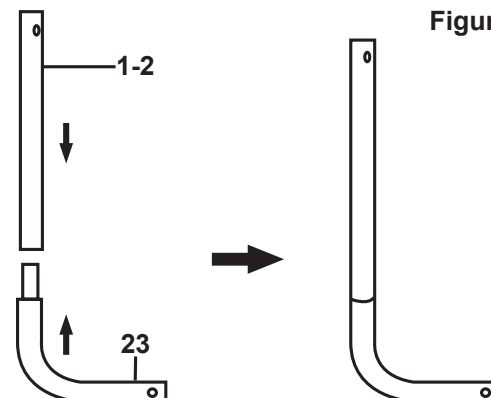


Figure G: Corner Leg Assembly

Stud Installation

1. Have assistants raise one side of the roof assembly.
2. Install the Center Studs (1-1) into the 4-Way Side Connectors (6-2), and the Corner Studs (1-2) into the 3-Way Side Connector A/B (5-2, 5-3) with the Corner Legs (23) facing inward.

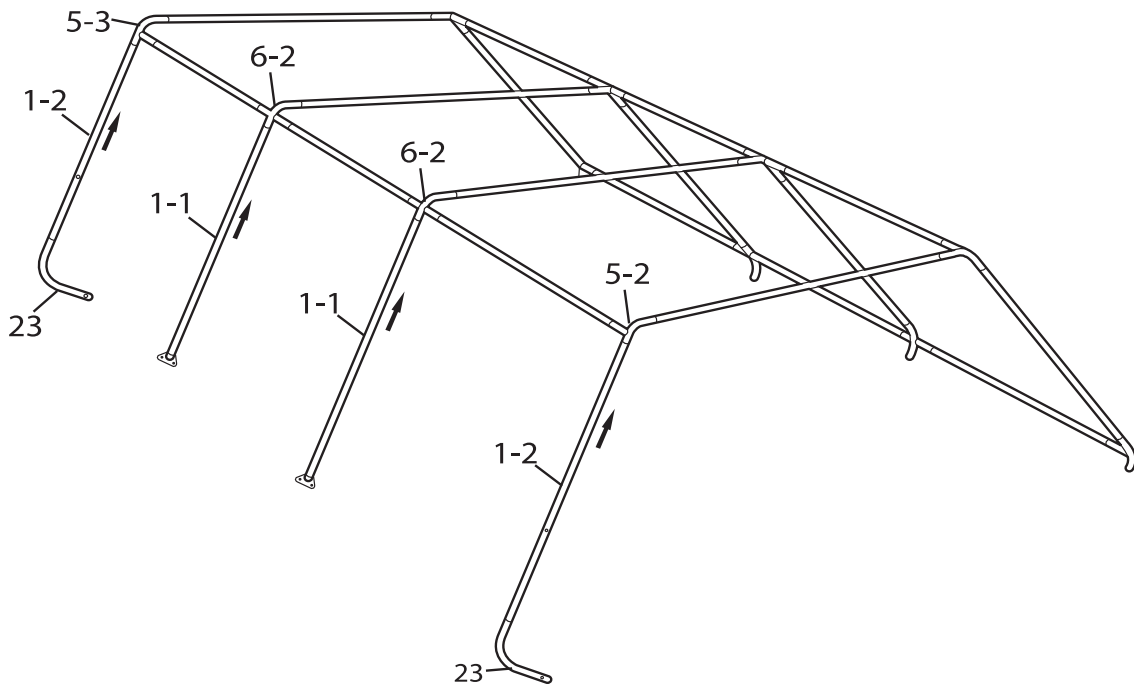


Figure H: Stud Installation

3. After all four Studs (1-1, 1-2) are in place, rest that side of the assembly on the ground, and raise the other side.
4. Install four Studs (1-1, 1-2) on the other side of the roof, as explained in step #2, above.

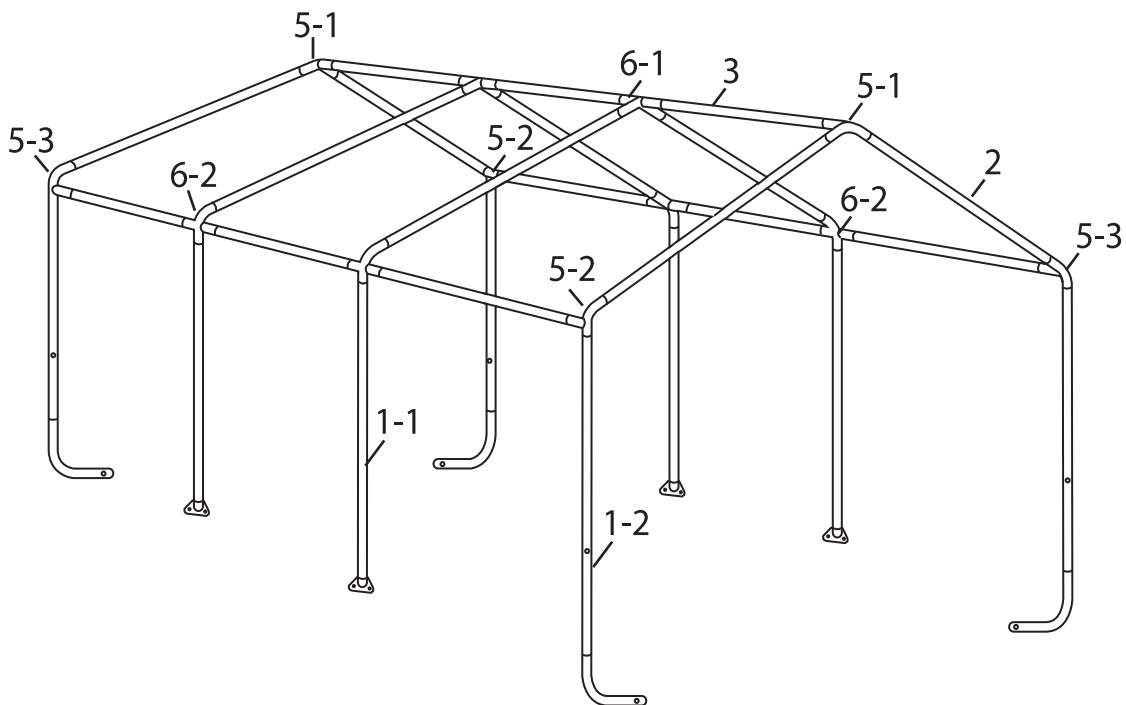


Figure I: Studs Installed on Both Sides

5. Make sure all parts assembled up to this point are firmly joined together. Tap parts together gently with a rubber mallet (sold separately) if needed.

Anchoring Frame

⚠️ WARNING

TO PREVENT SERIOUS INJURY: Contact local utility companies to ensure that the installation area is free of pipes, cables, and other hazards **BEFORE** installing anchors or choosing installation area.

1. Position the frame in the desired installation location.
The location must be flat, level, and stable with good locations for the Anchors (14-1).
2. Level the frame end-to-end and side-to-side.
3. Measure the width of the frame at front and back, it should be 10' 2" wide.
The distance diagonally in one direction should be equal to the distance diagonally in the other direction.
If any measurements do not match, adjust the frame and retake measurements until they are equal within a reasonable tolerance.

Note: If measurements cannot be made correct, then parts may not be seated together properly.

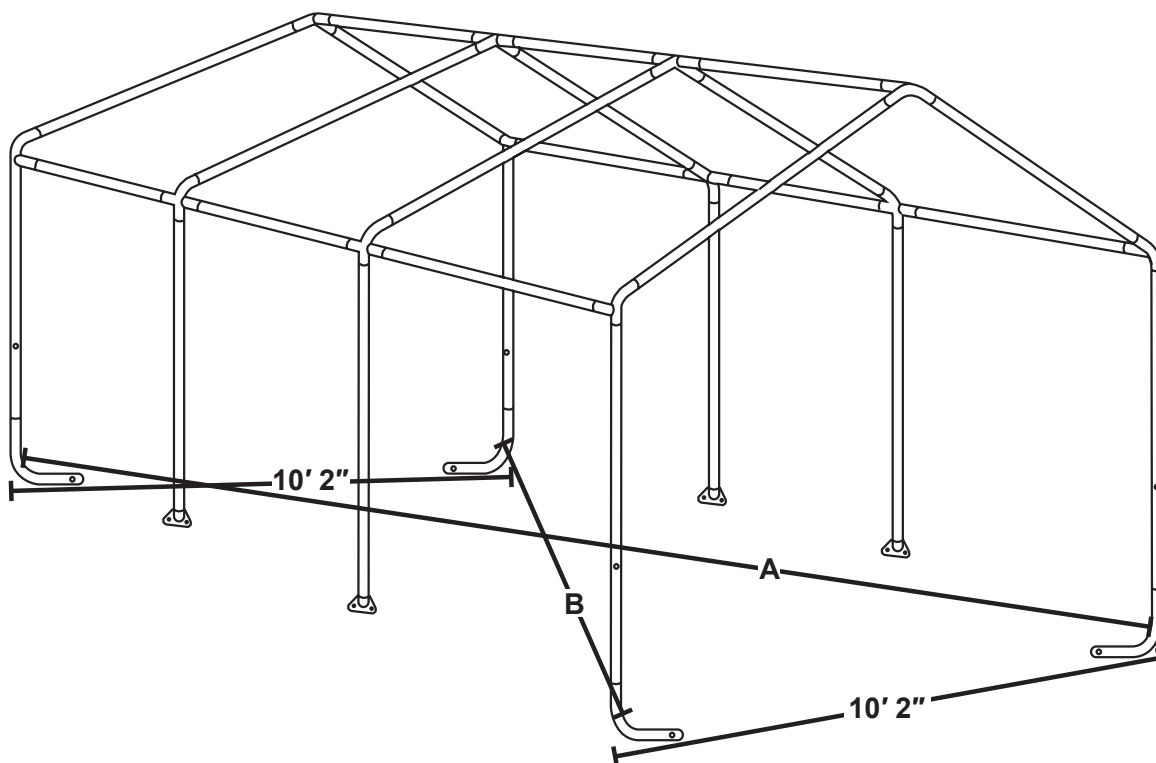


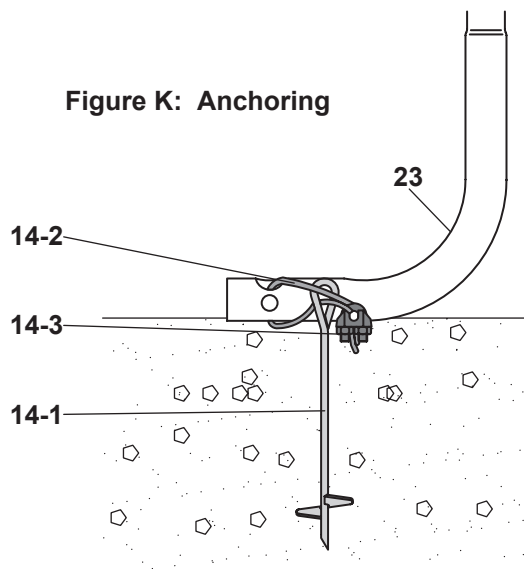
Figure J: Verify and Adjust Frame Measurements

4. Once the frame is positioned, leveled, and squared, anchor the four Corner Legs (23) as follows:
 - a. Thread the Anchor (14-1) into the ground near the Corner Leg (23) until the top of the Anchor only extends about 3" above the ground.

Note: Verify that there are no utility lines nearby before driving anchors. If there are rocks or other obstacles, holes may need to be drilled first to allow proper anchoring.

- b. Insert a Cable (14-2) through the anchor and through the Corner Leg (23), as shown.
- c. Pull the Cable (14-2) tight and secure it using a Cable Clamp (14-3). Tighten the two nuts on the Cable Clamp (14-3) evenly to secure the Cable (14-2).
- d. Repeat for all four Anchors (14-1) and Corner Legs (23).

Figure K: Anchoring



Securing Ratchet Tie-downs (22)

Note: Use these instructions in the pages that follow.

1. Thread the strap through the Ratchet's spindle as far as it will go.

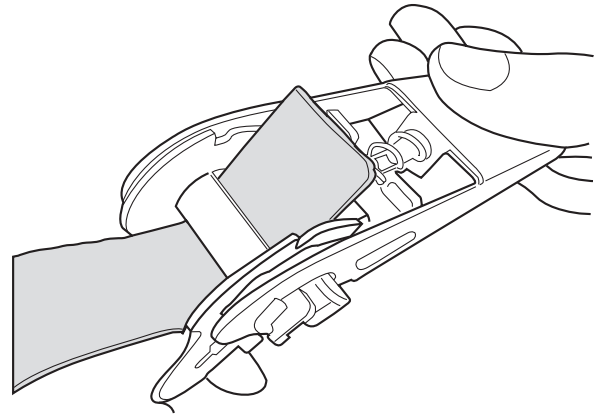


Figure L: Threading Strap Through Spindle

2. Insert the S-hook of the Ratchet into the hole in the Corner Leg (23).

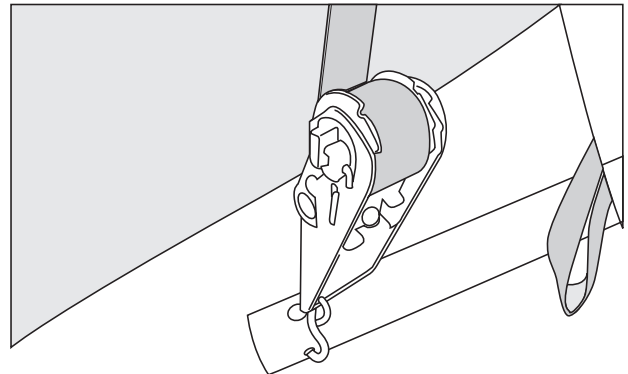


Figure M: Inserting Hook into Corner Leg (23)

3. Lift and lower the Ratchet's handle to wind and tighten the strap onto the spindle.

CAUTION: Excessive tightening will damage straps, Covers, and Corner Legs.

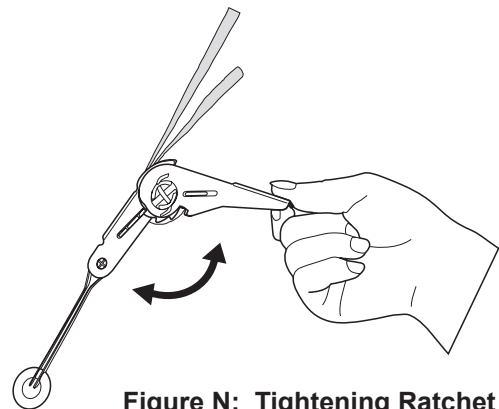


Figure N: Tightening Ratchet

Releasing Ratchet Tie-downs (22)

1. Depress the spring-loaded bar on the handle.
2. Open ratchet handle completely.
3. Unwind the strap.

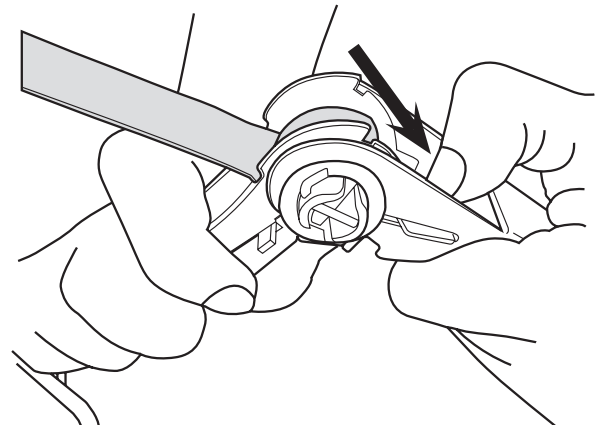


Figure O: Releasing Ratchet

Door/Back Cover (19, 20) Installation

1. Position the Door Cover (19) near where you want the front of the Portable Garage, and turn it so that the zipper faces the outside of the Portable Garage, and the warning tag faces inside.
2. Disconnect the Rail (3) from the 3-Way Ridge Connector (5-1), and place the gap at the top center of the Door Cover (19) around the Ridge Connector (5-1), as shown. Note that the Door Cover's (19) flaps wrap around the Rafters (2), and the Rope (21) is positioned inside the frame. Reconnect the Rail (3) securely to the 3-Way Ridge Connector (5-1).

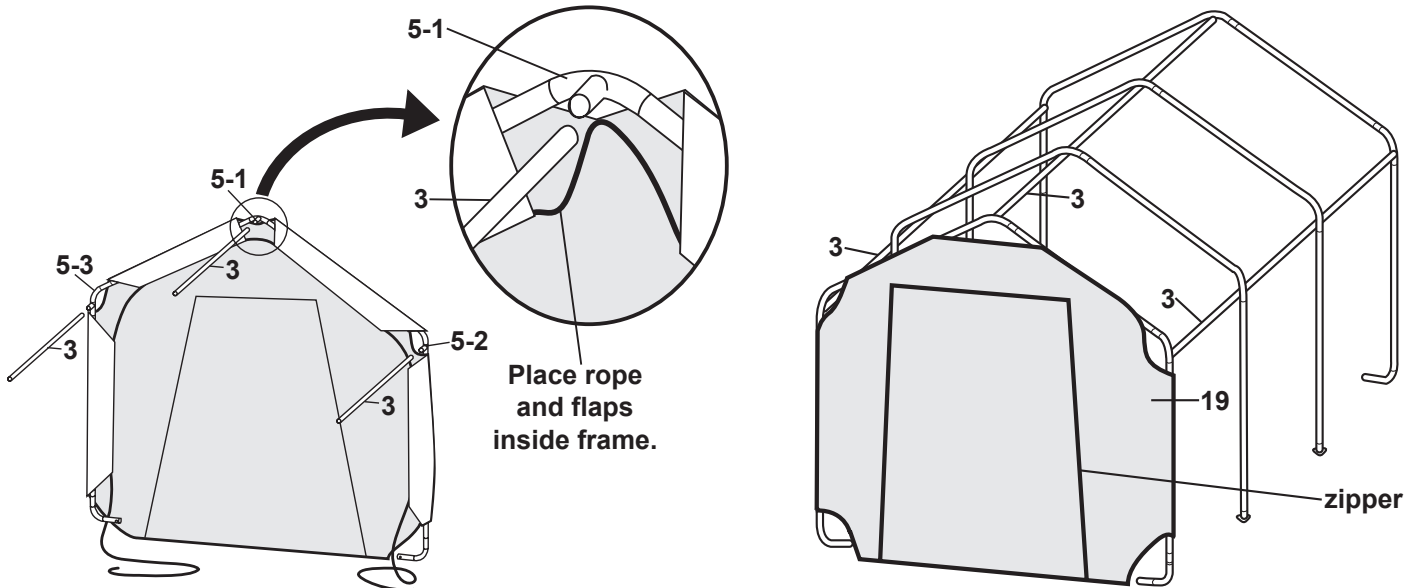


Figure P: Door Cover (19) Installation

3. Repeat step #2 for the 3-Way Side Connectors A/B (5-2, 5-3) so that the Door Cover (19) looks as shown in the illustrations above.

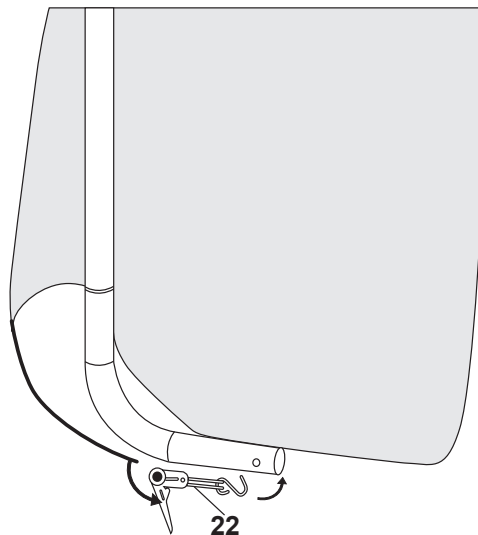


Figure Q: Securing Door Cover

4. Use Ratchet Tie-downs (22) to attach the Cover to the Corner Legs (23), see Securing Ratchet Tie-downs (22) on page 10 and Figure Q.
5. Repeat steps #1 – 4 above to install the Back Cover (20) to the other end of the Portable Garage.

Roof Cover (18) Installation

Note: Door and Back Covers (19, 20) not shown on illustrations to provide a clear view of installation.

1. Lay the Roof Cover (18) on the ground next to the frame. Make sure that the edges with black straps are alongside the Door/Back Covers (19,20) and one set of the fabric tubes is facing upwards, see Figure R.
2. Tie each Rope (21) through an eyelet at the corner of the Roof Cover.
3. Throw the other ends of the Ropes (21) over the frame.
4. Move to the other side of the frame and pull the Cover over the frame. Make sure that the Roof Cover is centred on the frame. If small adjustment is needed, two people should pull together from the same end of the Portable Garage so that the Roof Cover does not become twisted.

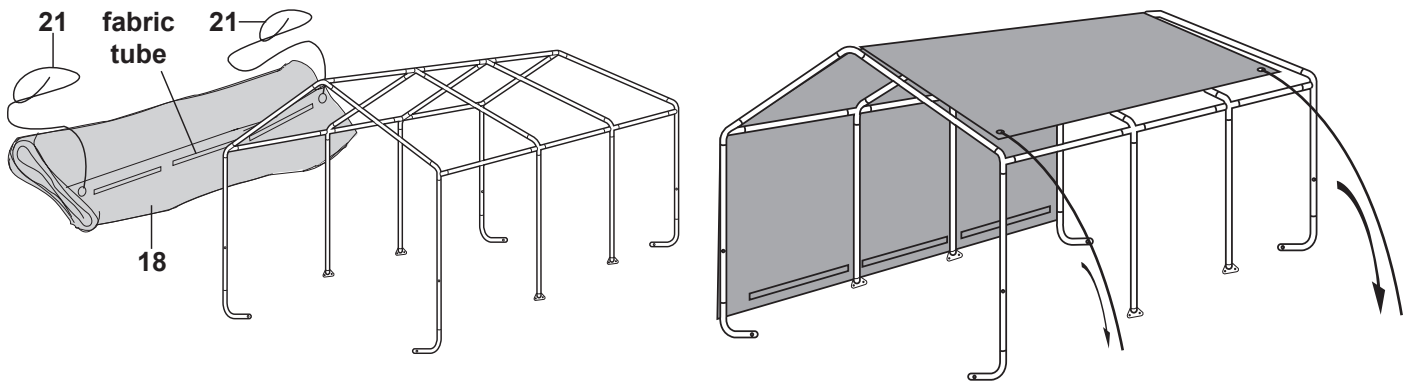


Figure R: Pull Roof Cover (18) Over Frame using Ropes (21)

5. Insert the Bottom Rails into the fabric tubes on each side of the Roof Cover. Make sure the Bottom Rails are level and horizontal.

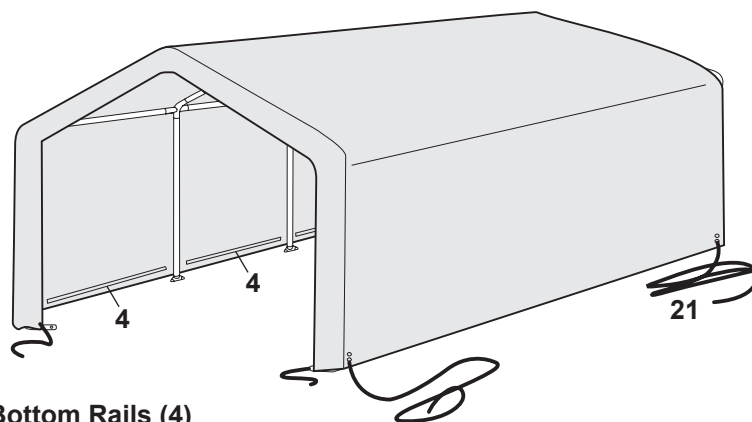


Figure S: Insert Bottom Rails (4)

6. Attach the Bottom Rails (4) to the Corner Studs (1-2) using 3-Way Rail Clamps (8), Bolts, Nuts and Washers (11, 12, 13), and to the Center Studs (1-1) with 4-Way Rail Clamps (7), as shown in Figure T.

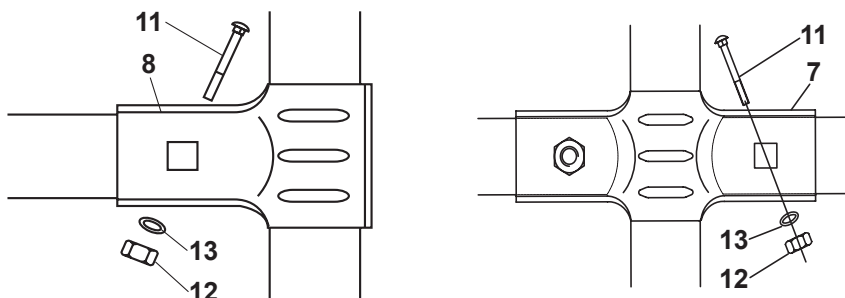


Figure T: 3 and 4-Way Rail Clamp (7, 8) Connections

Note: Only finger tighten the Nuts (12) at this point.

7. Make sure that all the bottom cross rails are of the same height from the ground, then tighten all Nuts (12).
8. Secure the four corners to the Corner Legs (23) using Ratchet Tie-downs (22), see Securing Ratchet Tie-downs (22) on page 10.

Maintenance



Procedures not specifically explained in this manual must be performed only by a qualified technician.

!WARNING

TO PREVENT SERIOUS INJURY FROM PRODUCT FAILURE:

Do not use damaged products. If damage is noted, have the problem corrected before further use.

MONTHLY, inspect the general condition of the Portable Garage. Check for:

- loose ratchet tie downs, anchors, tube connections, and rail clamps (tighten as needed),
- torn or frayed covers, ropes, or cables,
- cracked, bent, or broken parts, and
- any other condition that may affect its safe operation.

PLEASE READ THE FOLLOWING CAREFULLY

THE MANUFACTURER AND/OR DISTRIBUTOR HAS PROVIDED THE PARTS LIST AND ASSEMBLY DIAGRAM IN THIS MANUAL AS A REFERENCE TOOL ONLY. NEITHER THE MANUFACTURER OR DISTRIBUTOR MAKES ANY REPRESENTATION OR WARRANTY OF ANY KIND TO THE BUYER THAT HE OR SHE IS QUALIFIED TO MAKE ANY REPAIRS TO THE PRODUCT, OR THAT HE OR SHE IS QUALIFIED TO REPLACE ANY PARTS OF THE PRODUCT. IN FACT, THE MANUFACTURER AND/OR DISTRIBUTOR EXPRESSLY STATES THAT ALL REPAIRS AND PARTS REPLACEMENTS SHOULD BE UNDERTAKEN BY CERTIFIED AND LICENSED TECHNICIANS, AND NOT BY THE BUYER. THE BUYER ASSUMES ALL RISK AND LIABILITY ARISING OUT OF HIS OR HER REPAIRS TO THE ORIGINAL PRODUCT OR REPLACEMENT PARTS THERETO, OR ARISING OUT OF HIS OR HER INSTALLATION OF REPLACEMENT PARTS THERETO.

Record Product's Serial Number Here: _____

Note: If product has no serial number, record month and year of purchase instead.

Note: Some parts are listed and shown for illustration purposes only, and are not available individually as replacement parts.

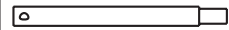

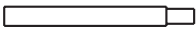

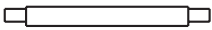

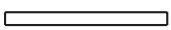

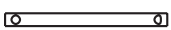

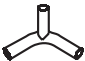















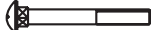


for Harbor Freight Tools

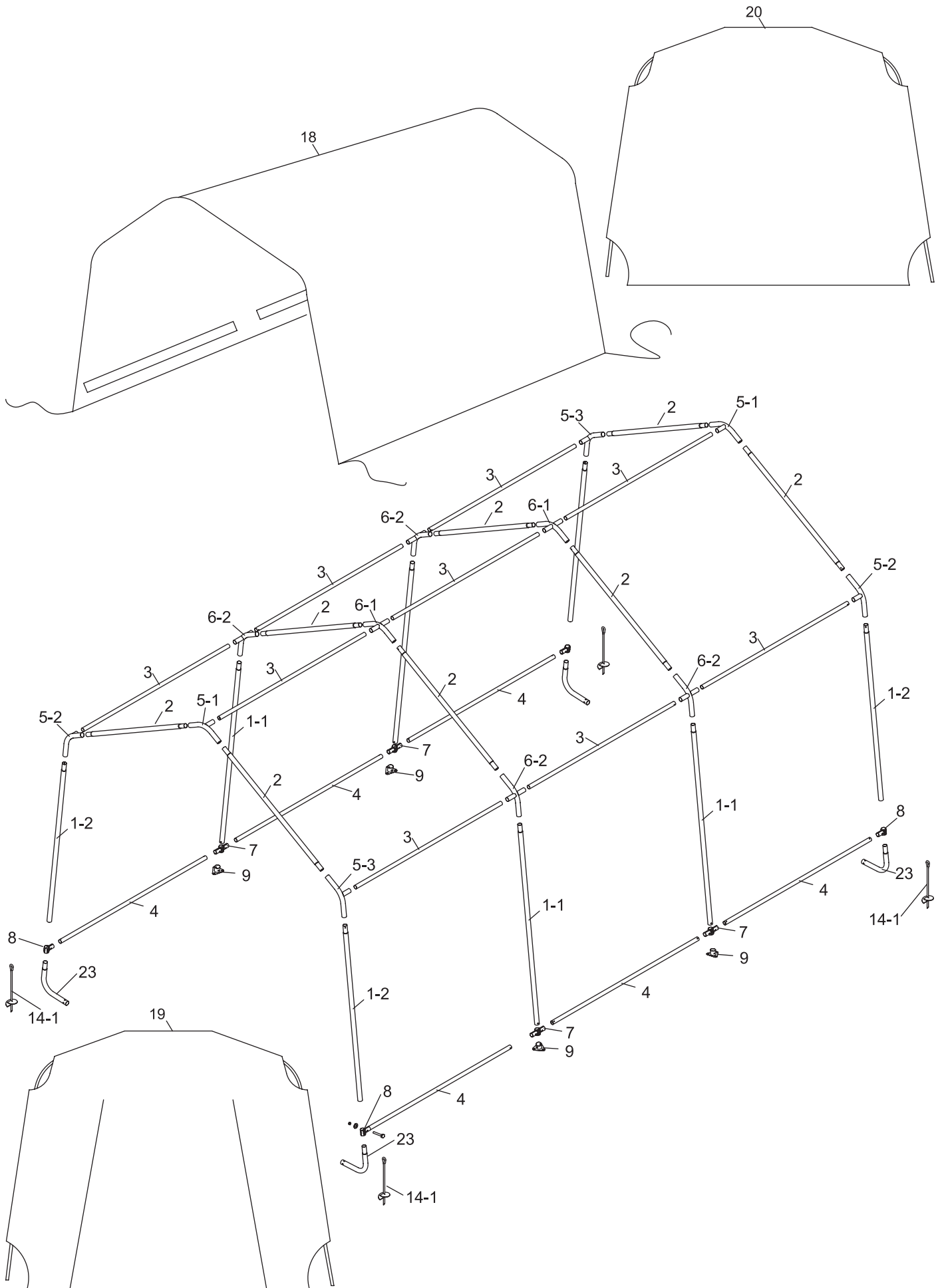
Parts List and Diagram

Parts List

Note: Individual part illustrations not to scale.

Part	Description	Illustration	Qty	Part	Description	Illustration	Qty
1-1	Center Stud		4	12	M6 Nut		12
1-2	Corner Stud		4	13	M6 Washer		12
2	Rafter		8	14-1	Anchor		4
3	Rail		9	14-2	Cable - 1' (30cm)		4
4	Bottom Rail		6	14-3	Cable Clamp		4
5-1	3-Way Ridge Connector		2	15	Pin		4
5-2	3-Way Side Connector A		2	16	Cotter Pin		4
5-3	3-Way Side Connector B		2	18	Roof Cover		1
6-1	4-Way Ridge Connector		2	19	Door Cover		1
6-2	4-Way Side Connector		4	20	Back Cover		1
7	4-Way Center Rail Clamp		8	21	Rope (24') (7.3M)		2
8	3-Way End Rail Clamp		8	22	Ratchet Tie-down		8
9	Foot		4	23	Corner Leg		4
11	M6×45 Bolt		12				

Assembly Diagram



SAFETY

ASSEMBLY

MAINTENANCE

Limited 90 Day Warranty

Harbor Freight Tools Co. makes every effort to assure that its products meet high quality and durability standards, and warrants to the original purchaser that this product is free from defects in materials and workmanship for the period of 90 days from the date of purchase. This warranty does not apply to damage due directly or indirectly, to misuse, abuse, negligence or accidents, repairs or alterations outside our facilities, criminal activity, improper installation, normal wear and tear, or to lack of maintenance. We shall in no event be liable for death, injuries to persons or property, or for incidental, contingent, special or consequential damages arising from the use of our product. Some states do not allow the exclusion or limitation of incidental or consequential damages, so the above limitation of exclusion may not apply to you. THIS WARRANTY IS EXPRESSLY IN LIEU OF ALL OTHER WARRANTIES, EXPRESS OR IMPLIED, INCLUDING THE WARRANTIES OF MERCHANTABILITY AND FITNESS.

To take advantage of this warranty, the product or part must be returned to us with transportation charges prepaid. Proof of purchase date and an explanation of the complaint must accompany the merchandise. If our inspection verifies the defect, we will either repair or replace the product at our election or we may elect to refund the purchase price if we cannot readily and quickly provide you with a replacement. We will return repaired products at our expense, but if we determine there is no defect, or that the defect resulted from causes not within the scope of our warranty, then you must bear the cost of returning the product.

This warranty gives you specific legal rights and you may also have other rights which vary from state to state.



for Harbor Freight Tools

3491 Mission Oaks Blvd. • PO Box 6009 • Camarillo, CA 93011 • (800) 444-3353